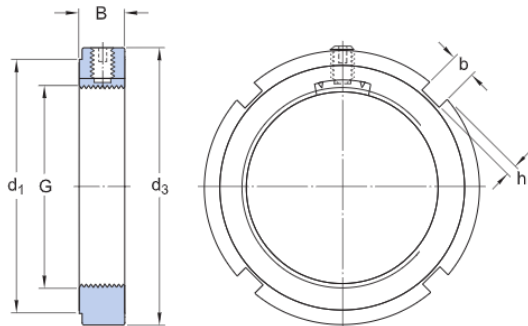


# KMK 20Lock nut



## Technical Specification

### Dimensions



G	M 100x2	Thread
$d_3$	130 mm	Outside diameter
B	20 mm	Width
$d_1$	122 mm	Diameter locating side face
b	10 mm	Width locating slot
h	4 mm	Depth locating slot

### Calculation data

Axial static load carrying capacity 255 kN

### Mass

Mass lock nut 0.8 kg

### Mounting information

Associated spanner HN 18-20

Set screw size M10

Recommended grub screw tightening torque 35 N·m